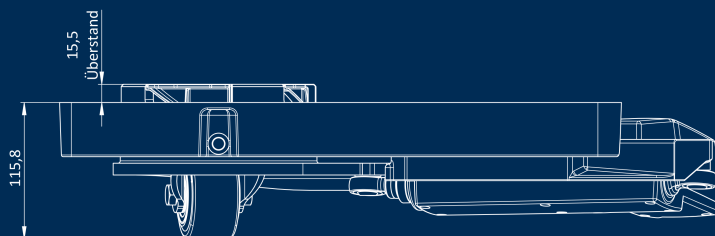
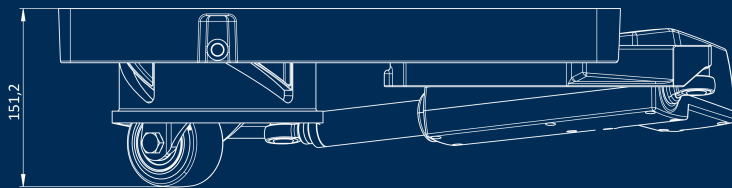


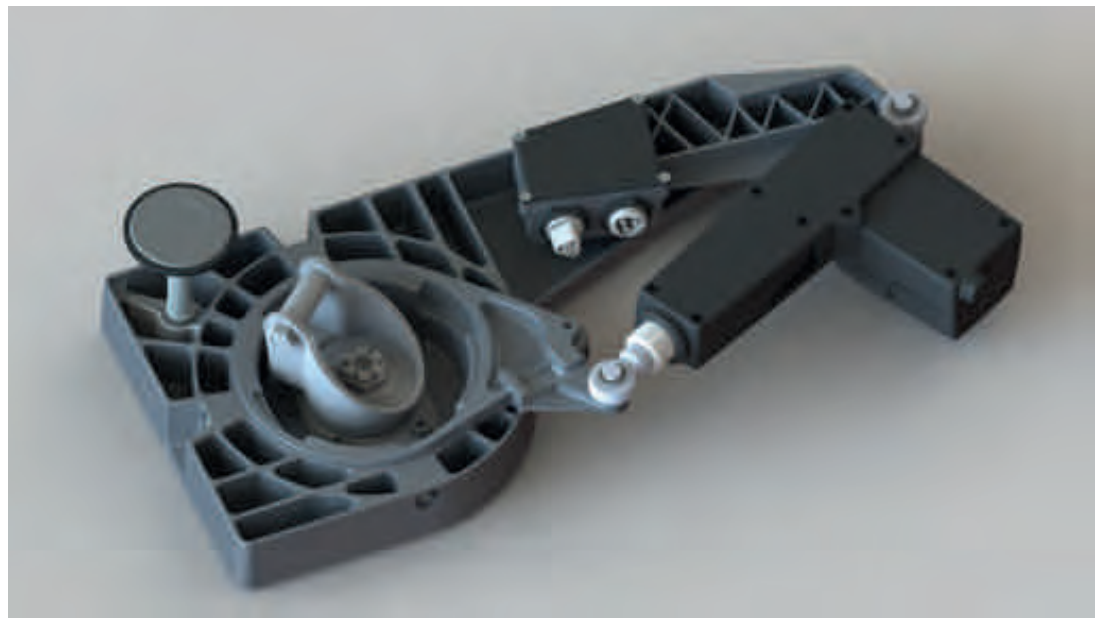
HOAC[®]Up2Move.
Lifting up your ideas.



TRUSS SYSTEMS
PLATFORMS & STAGING
TURNTABLES

STAGE WAGONS

GRANDSTANDS
STAGE DESIGN
FLY BAR SYSTEMS
TRACK SYSTEMS
MOBILE BALLET FLOOR
MOBILE ACOUSTIC SHELLS



HOAC® Up2Move

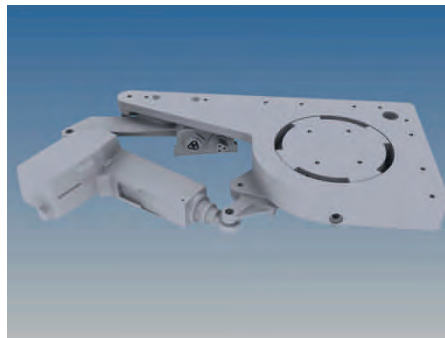
Lifting up your ideas.

HOAC®Up2Move offers you the unique new patented wheeled lifting unit for safe operation. In down position, your wagon frame itself lays safely on the floor. Lifting up the units electrical linear driven by max. 38mm cylinder stroke you easily can manually move your wagon frames to another position.

NEW: Linear cylinder stroke from 0 - 38 mm

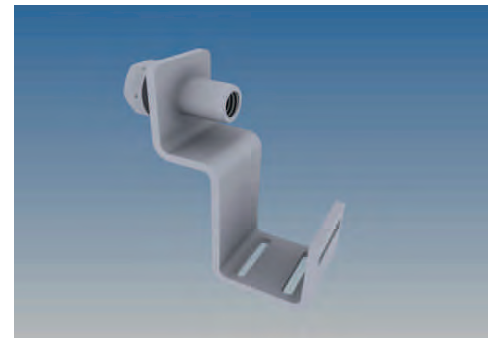
NEW: Installation height 166 mm

- > self locking cylinder for safe operation
- > vertical stroke by patented lifting unit
- > height 16.2/3 cm
- > 250 kg unit with 38 mm stroke
- > 500 kg unit with 18 mm stroke
- > Maintenance free
- > powered by battery or 24V power unit
- > noise less than 40 dB(A)
- > easy handling
- > every unit is self - sufficient
- > optional return signal for controller
- > no swivelling to the side during lifting



HOAC®Up2Move unit

Patented linear stroke unit, that can be mounted in any frame system, that you need to lift up for manual movements. Remote control for 20 units ist standard.



HOAC®Up2Move cable holder

The cable holder can be mounted in any position of the frame to clean up your cable management.